

Moiré, movement *with pattern.*

design Christian Lava
terzani.com



TERZANI
LA LUCE PENSATA



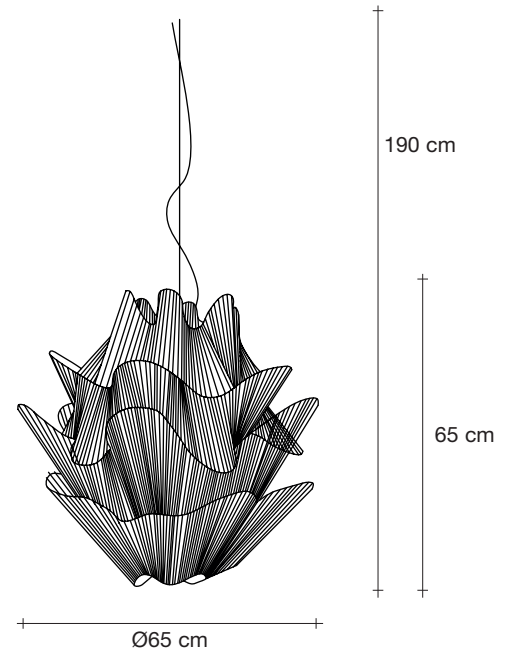
Type |
Suspension

Materials |
Metal



Finishes | Code

-  Clear/Raw brass
OM10S L6 C8
-  Clear/Raw brass
OM10S E7 C8

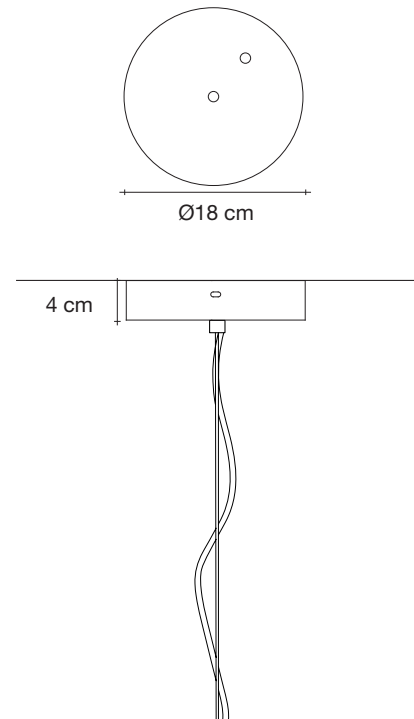
Body |



Integrated Led |
230-240V ~ 50/60Hz

-  LED integrated
15,2W 3000K
1952 lm
-  Dimmable with 1-10V and PUSH
Dali system on request

Canopy |



A French term derived from silk with a rippled or “watered” appearance, moiré is an optical effect that results in the illusion of waves or the movement of water. This effect is achieved by having an opaque, ruled pattern overlaid over another. Designer Christian Lava’s studies of this effect have led to his latest design aptly titled, Moiré. Using overlapping grids of plastic, this LED pendant light dynamically changes shape following the viewer’s gaze, practically coming to life with a vibrating energy. Available in multiple configurations, Moiré is a mesmerizing addition to any room.



83cm x 78cm x 95cm